

IF IN DOUBT ASK  
DO NOT SCALE

A

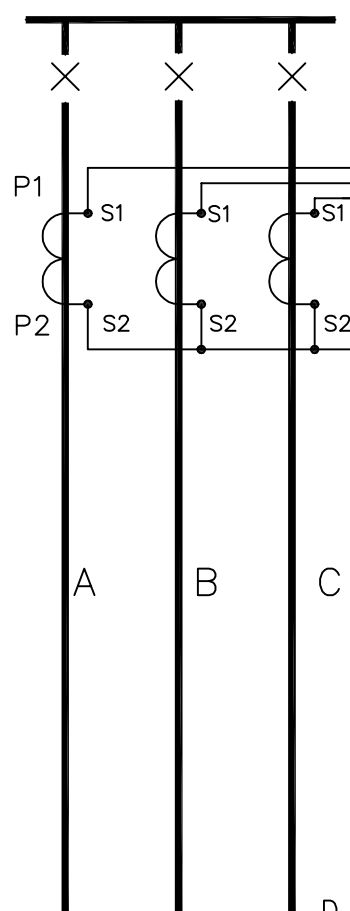
B

C

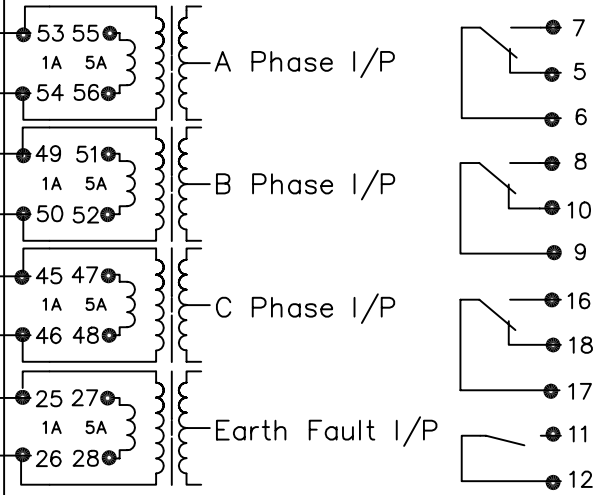
D

E

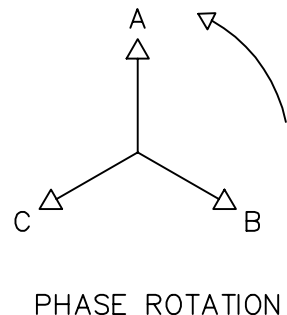
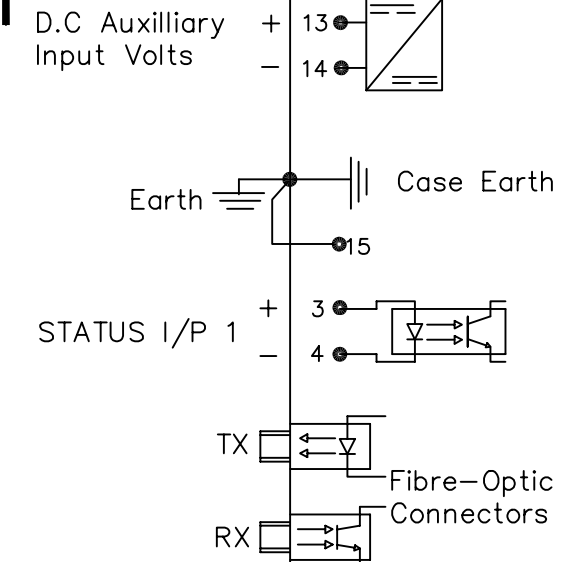
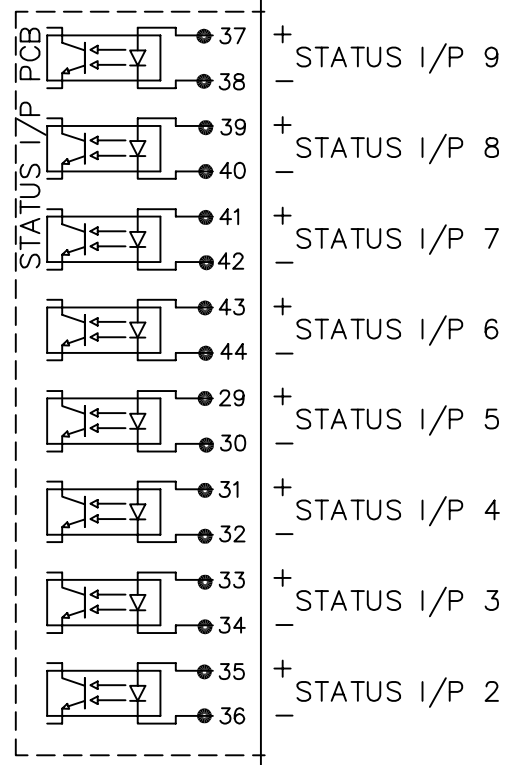
BUSBARS



RHO3 Three Phase Thermal Overload E6/R6



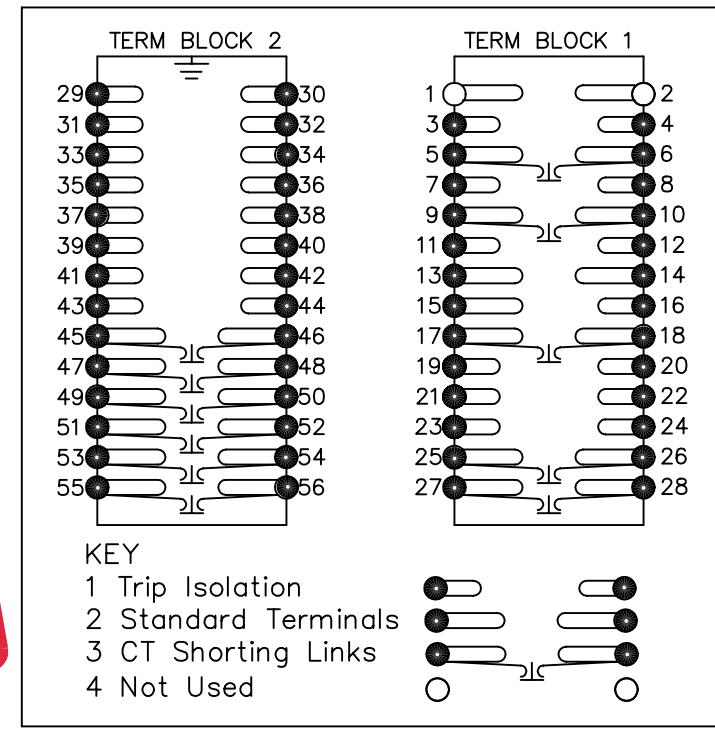
RELAY 1  
RELAY 2  
RELAY 3  
RELAY 4  
RELAY 5  
RELAY 6  
RELAY 7



PHASE ROTATION

**NOT SUBJECT TO UPDATE  
ONCE COPIED / PRINTED  
OR DOWNLOADED**

TERMINAL BLOCKS VIEWED FROM REAR



- NOTES
- 1 CT CIRCUITS ARE SHOWN CONNECTED TO RELAY 1 AMP TAP. USE ALTERNATIVE TAP FOR 5AMP RATED CTs.
  - 2 CT & EARTH CONNECTIONS ARE TYPICAL ONLY.
  - 3 FOR TERMINAL IDENTIFICATION & WIRING DIAGRAM SEE 2681W20001 (A3) (REYMO) TERMINAL IDENTIFICATION & WIRING DIAGRAM SEE 2681W50001 (A3) (EPSILON)
  - 4 RHO3 MEASURES AVERAGE OVERLOAD OF ALL 3 PHASES
  - 5 FOR SINGLE PHASE OVERLOAD APPLICATIONS SEE DRG 2681W10006 (A3)

MATERIAL:

Dimensions in millimetres : Surface texture in micrometres.  
Machine where marked ✓  
For explanation of dimensions, tolerances, notes etc. see B.S.308.  
Limit on untoleranced unmachined dimensions ± \_\_\_\_\_  
Limits on untoleranced machined dimensions to B.S.4500;  
i.e. up to 6±0.1; over 30 to 120±0.3; over 315±0.8;  
over 6 to 30±0.2; over 120 to 315±0.5;  
General unmachined angular tolerance ± \_\_\_\_\_

Finish: \_\_\_\_\_  
Treatment: \_\_\_\_\_

Title: TYPICAL SCHEMATIC DIAGRAM FOR RHO3  
THREE PHASE THERMAL OVERLOAD PROTECTION  
NON MOTOR APPLICATIONS (E6/R6 CASE)

**Reyrolle Protection  
Hebburn.**

First used on: \_\_\_\_\_  
Similar Articles: \_\_\_\_\_  
Supersedes: \_\_\_\_\_  
Original Scale: NTS  
Drg. No. 2681W10005

Copyright © 2000 Reyrolle Ltd.

2	19/4/02	MN434/2292
1	3/8/00	CHANGE NOTED
ISSUE	DATE	NOTED

DRAWN M LEASK	CHECKED	APPROVED R.D.WATSON	DATE 23/07/02	IE	OPS	PCP	Purch.Spec. TQ	EAC	CE	STD	A3
---------------	---------	---------------------	---------------	----	-----	-----	----------------	-----	----	-----	----